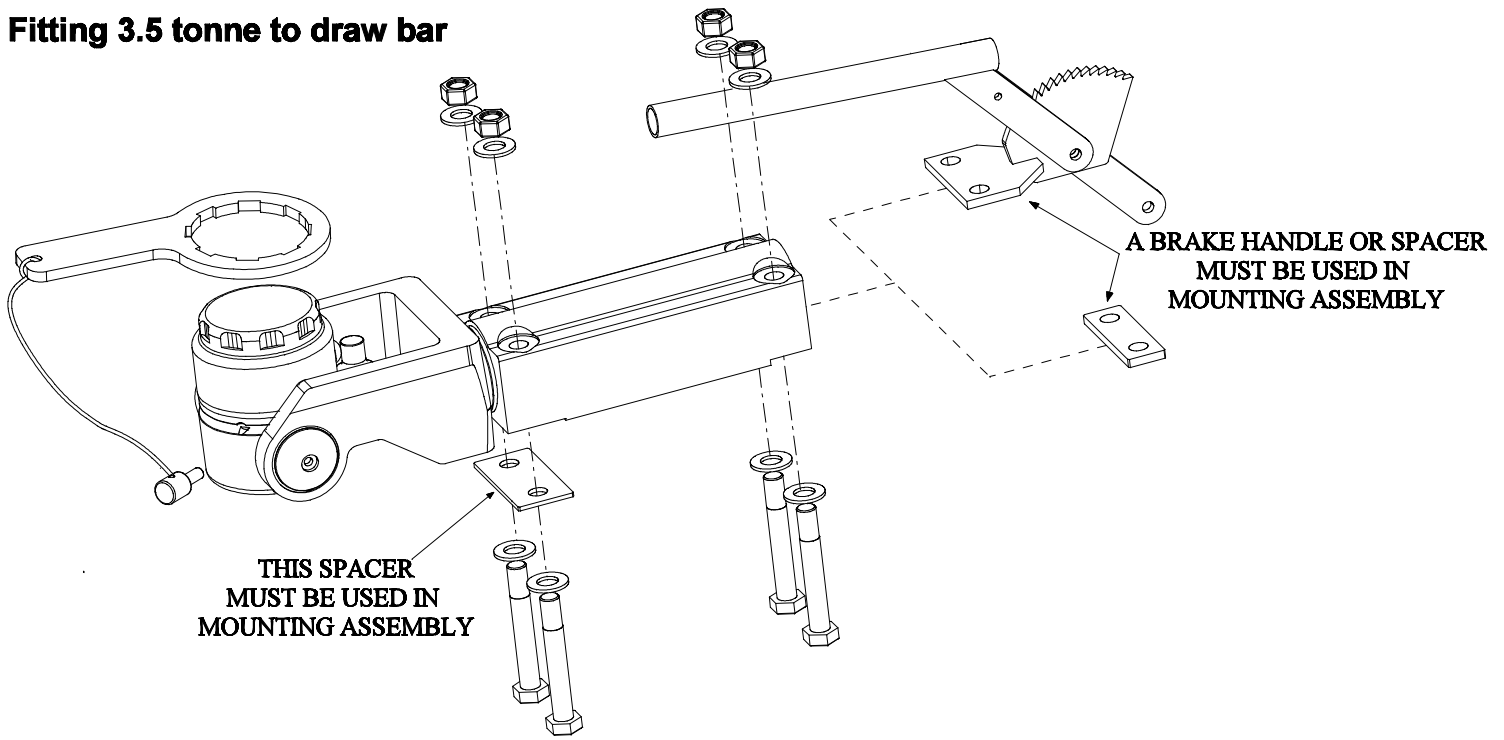
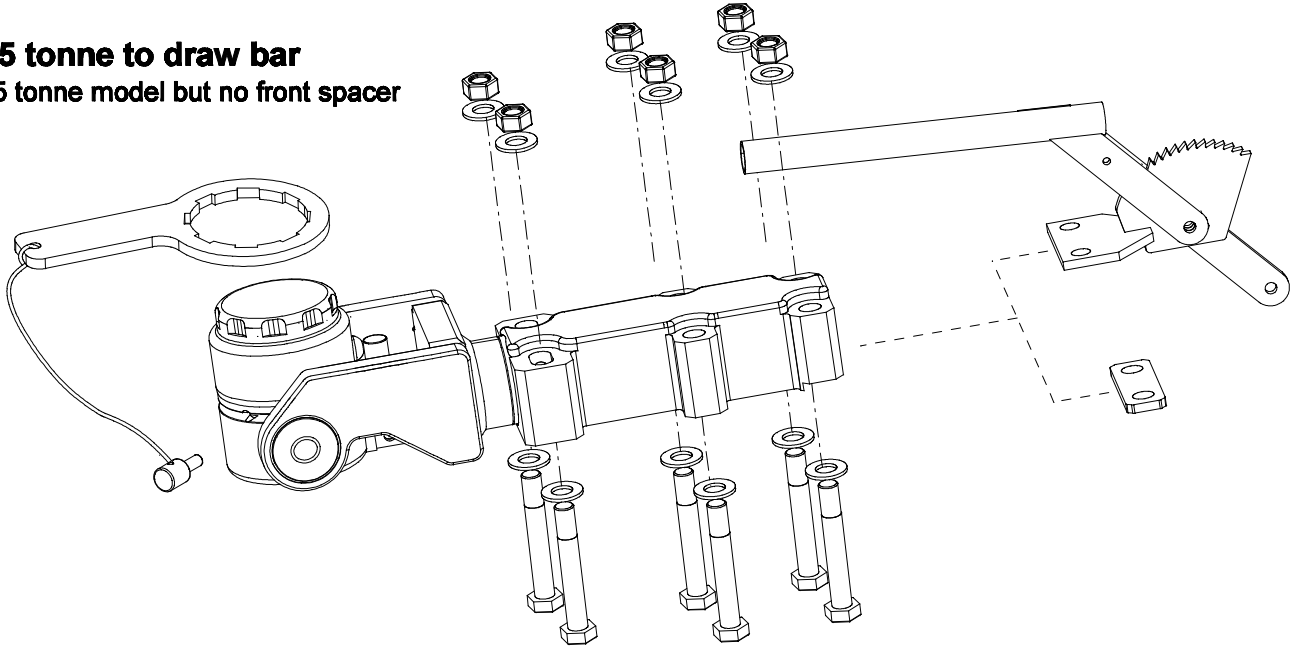


### Fitting 3.5 tonne to draw bar



### Fitting 5 tonne to draw bar

As for 3.5 tonne model but no front spacer



### Fitting to pillar

